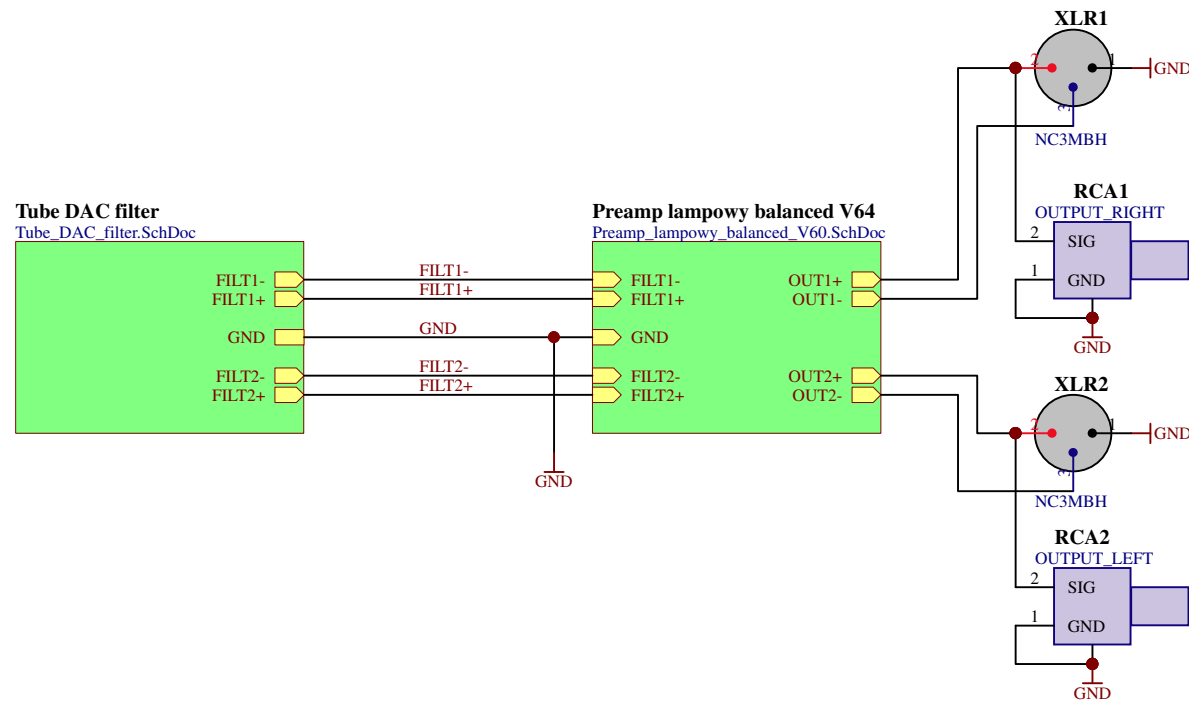


Balanced Tube Preamplifier V6.4 - Main

by Konrad Siemientkowski



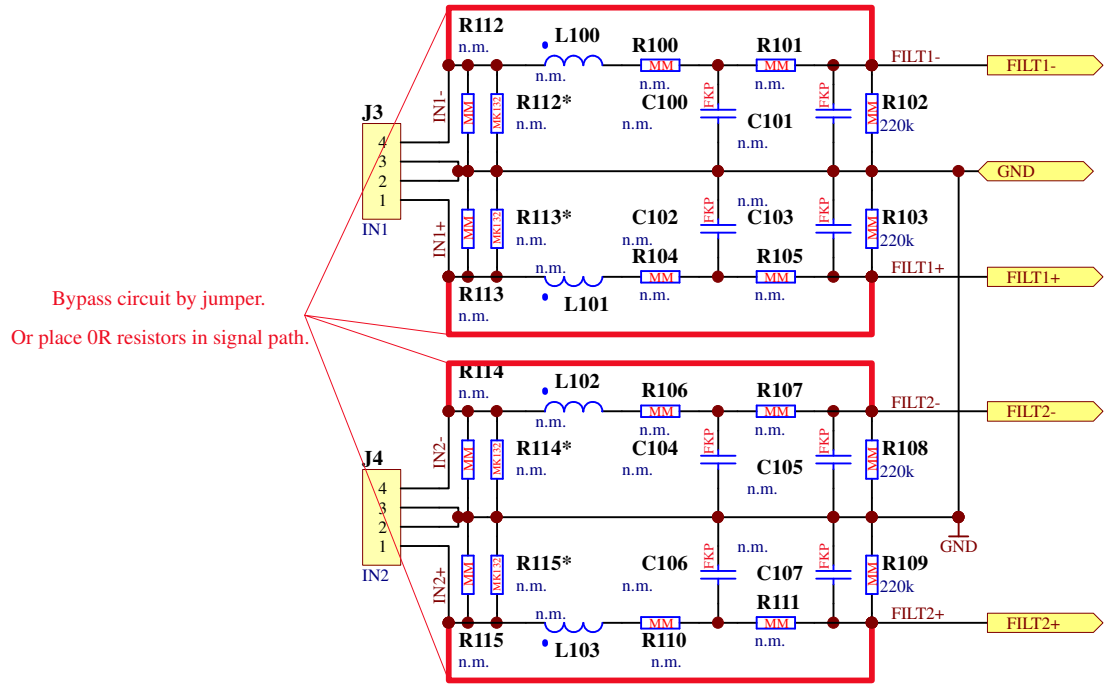
DIY use only. Comercial use without permission is prohibited.
 MuzgAUDIO Konrad Siemientkowski. All right reserved.
www.muzgaudio.com
muzgaudio@muzgaudio.com

Title		
Size A4	Number	Revision
Date: 2019-10-21	Sheet of	
File: D:\MuzgDIY\Balanced_Preamp_V61_MuzgAudio	MuzgAudio	

Balanced Tube Preamplifier V6.4 - Filter

by Konrad Siemientkowski

Values for 20dB preamplifier (with ECC82).

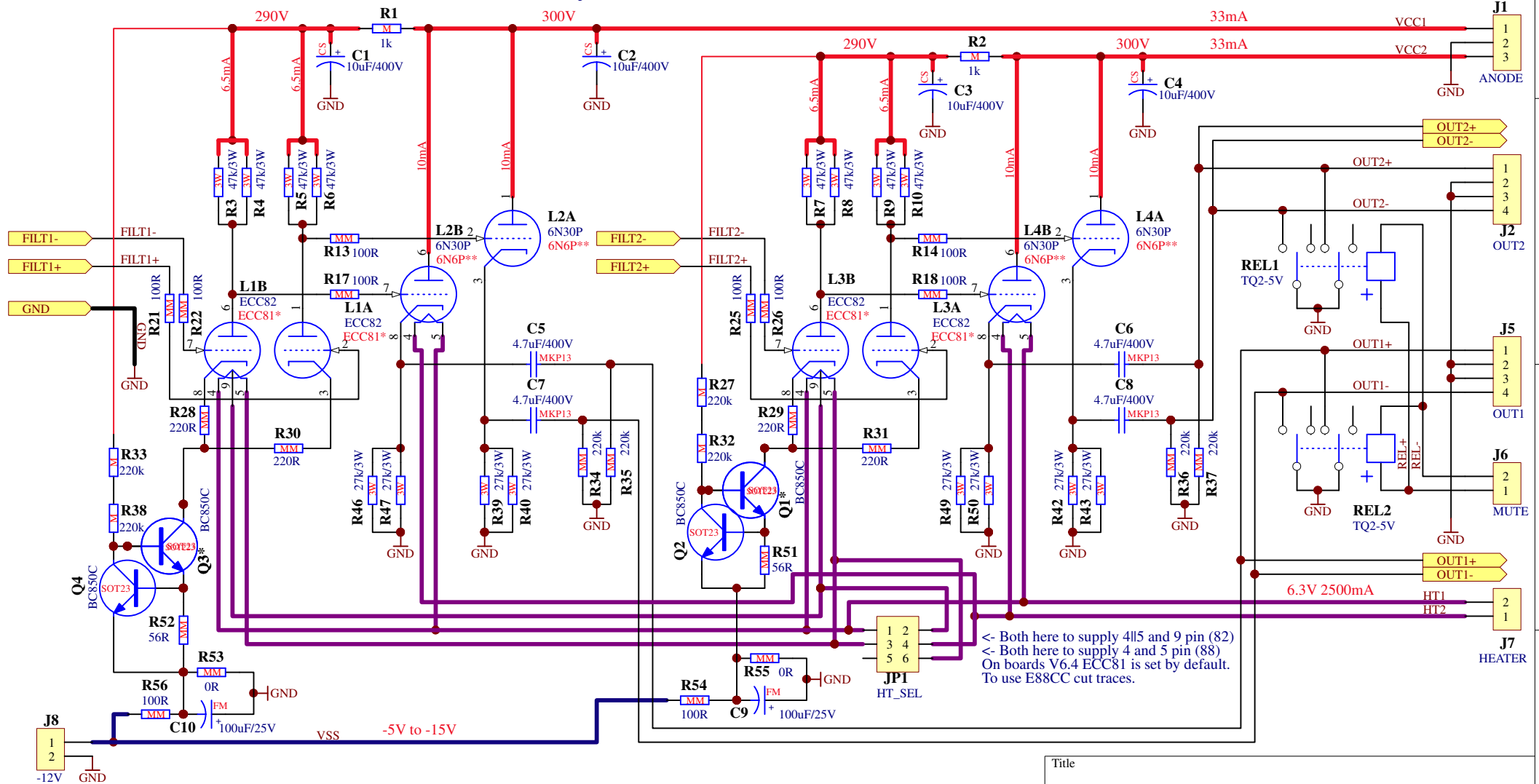


DIY use only. Comercial use without permission is prohibited.
 MuzgAUDIO Konrad Siemientkowski. All right reserved.
www.muzgaudio.com
 muzgaudio@muzgaudio.com

Title		
Size A4	Number	Revision
Date: 2019-10-21	Sheet of	
File: D:\MuzgDIY\.\Tube_DAC_filter.SchDoc	Drawn By:	

Balanced Tube Preamplifier V6.4 - Preamplifier

by Konrad Siemientkowski



<- Both here to supply 4|5 and 9 pin (82)
 <- Both here to supply 4 and 5 pin (88)
 On boards V6.4 ECC81 is set by default.
 To use E88CC cut traces.

*For Current mode DAC use ECC81
 **6N6P could be used with lower performance.
 n.m. - component not populated

DIY use only. Commercial use without permission is prohibited.
 MuzgAUDIO Konrad Siemientkowski. All right reserved.
www.muzgaudio.com
muzgaudio@muzgaudio.com

Title		
Size	Number	Revision
A4		
Date:	2019-10-21	Sheet of
File:	D:\MuzgDIY\Preamp_lampowy_balanced\660.BshDoc	